

#### Electrical

Electrical supply: 208 V AC, 3 phase 60 Hz  
 Rated power: 1600 W  
 Motor type: Dyson digital motor. Switched reluctance brushless  
 Motor speed: 88,000 rpm  
 Heater type: None  
 Standby power consumption: 1 W  
 Energy consumption per dry: 0.0044 kWh

#### Construction

Die-cast aluminum casing with anti-microbial scuff resistant lacquer coating on exterior surfaces  
 Color finish: Metallic silver, gloss lacquer  
 Anti-microbially integrated external plastics, seals and air ducts  
 Pressed anti-rust steel back plate / mounting bracket  
 Tamper-proof T30 type exterior screws  
 Water ingress protection to IPX5

#### Filtration

HEPA filter with anti-microbial coating  
 99.97% particulate efficiency < 99.9% bacterial removal

#### Operation

Touch-free infra-red activation  
 Hand dry time: 10 seconds (measured to method defined by National Sanitation Foundation protocol P.335)  
 Airspeed output: 400 mph  
 Operating airflow: 74 CFM  
 Rated operating noise power: 85 dB(A)

#### Logistics

Serial number prefix: A02  
 Single unit order code: 14645-01  
 Unit weight: 32 lb  
 Packaged weight: 39 lb  
 Packaged dimensions: 29.1" x 14.3" x 12.2"  
 Pallet count: 13  
 Pallet type: US  
 Unit barcode: 879957001848

#### Standard warranty

5 year parts, 1 year labor limited

#### Product Certification

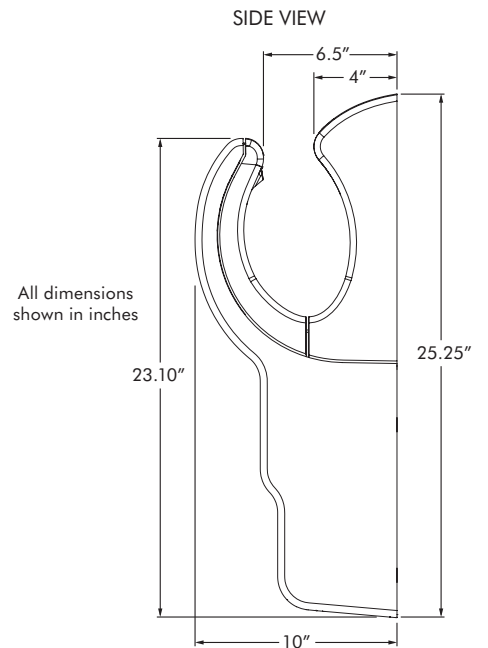
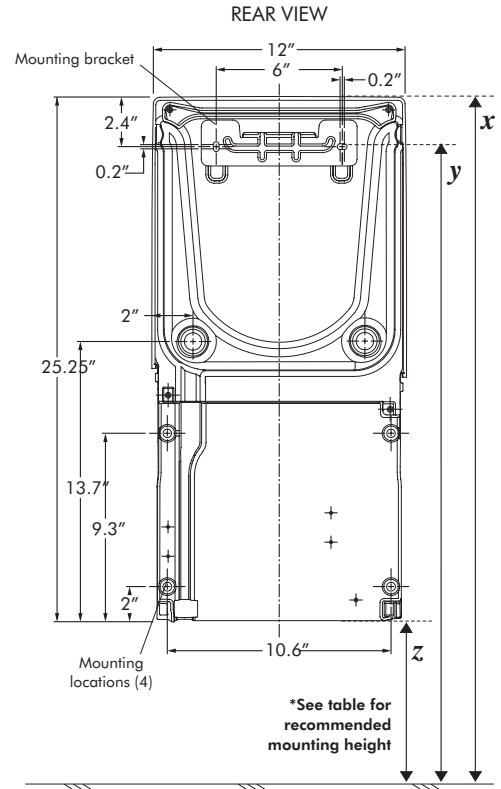
ETL listed in accordance with UL 507  
 ADA Compliant

*Recommended installation heights measured from floor	Male	Female	Child or Disabled
x To top of machine	41.25"	38.25"	34.25"
y To mounting bracket screw	39.0"	36.0"	32.0"
z To bottom of machine	16.0"	13.0"	9.0"

#### Manufactured materials

Plastic: ABS, polyurethane, polypropylene, BMC, PTFE  
 Rubber: Styrene, butadiene, EPDM  
 Metal: Die cast aluminium, steel, copper, zinc, ferrite cores  
 Other: Powder coat, lacquer, glass, glass paper, synthetic fiber fleece, hotmelt glass wool adhesive

For further information please contact Dyson at  
**1-888-DYSON-AB** or email any questions to  
[airbladeinfo@dyson.com](mailto:airbladeinfo@dyson.com)



#### Electrical

Electrical supply: 110-120 V AC, single phase 60 Hz  
 Rated power: 1400 W  
 Motor type: Dyson digital motor. Switched reluctance brushless  
 Motor speed: 81,000 rpm  
 Heater type: None  
 Standby power consumption: 1 W  
 Energy consumption per dry: 0.00468 kWh

#### Construction

Polycarbonate-ABS casing with homogenous anti-microbial additive  
 Color finish: Metallic steel finish PC-ABS  
 Anti-microbially integrated external plastics, seals and air ducts  
 Galvanized steel back plate / mounting bracket  
 Tamper-proof T30 type exterior screws  
 Water ingress protection to IPX5

#### Filtration

HEPA filter with anti-microbial coating  
 99.97% particulate efficiency < 99.9% bacterial removal

#### Operation

Touch-free infra-red activation  
 Hand dry time: 12 seconds (measured to method defined by National Sanitation Foundation protocol P.335)  
 Airspeed output: 400 mph  
 Operating airflow: 68 CFM  
 Rated operating noise power: 85 dB(A)

#### Logistics

Serial number prefix: A04-US  
 Single unit order code: 14225-01  
 Unit weight: 22 lb  
 Packaged weight: 28.7 lb  
 Packaged dimensions: 29.1" x 14.2" x 12.2"  
 Pallet count: 13  
 Pallet type: US  
 Unit barcode: 879957002210

#### Standard warranty

5 year parts, 1 year labor limited

#### Product Certification

ETL listed in accordance with UL 507  
 ADA Compliant

*Recommended installation heights measured from floor	Male	Female	Child or Disabled
x To top of machine	41.25"	38.25"	34.25"
y To mounting bracket screw	39.0"	36.0"	32.0"
z To bottom of machine	15.0"	12.0"	8.0"

#### Manufactured materials

Plastic: ABS, PC/ABS, PC, PP (+ PPGF and PPTF), PET-TS  
 Thermoset (BMC/DMC), PEEK  
 Rubber: Styrene, butadiene, EPDM  
 Metal: Stainless steel, galvanized steel, zinc diecast alloy brass

For further information please contact Dyson at  
**1-888-DYSON-AB** or email any questions to  
[airbladeinfo@dyson.com](mailto:airbladeinfo@dyson.com)

